

# AMNS-S

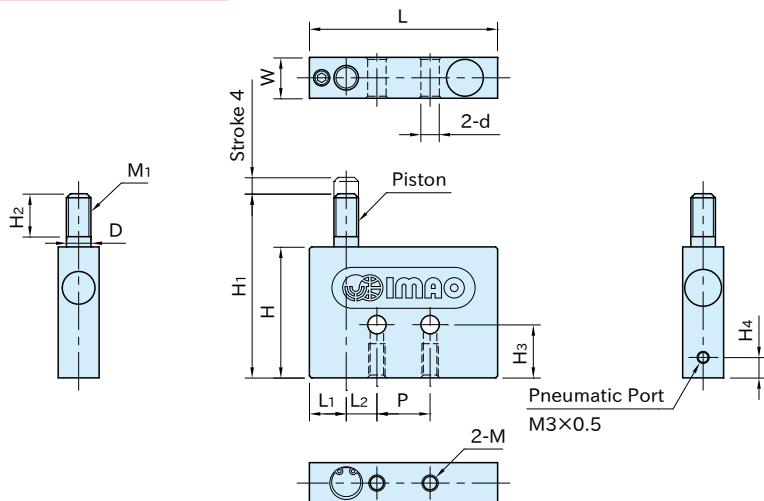
## COMPACT PNEUMATIC WORK SUPPORTS



### ★Key Point

Provide high support capacity even with small body.

Body	Piston / Locking Shaft	Cylinder
A5052 aluminum Anodized	S45C steel Electroless nickel plated	A5056 aluminum Anodized



Part Number	H	H <sub>1</sub>	M <sub>1</sub>	H <sub>2</sub>	D	L	W	d	M	L <sub>1</sub>
<b>AMNS06-S</b>	25	33	M4×0.7	7	4	36	8	3.4	M3×0.5 Depth 6	7
<b>AMNS08-S</b>	32	44	M6×1	10.5	6	46	10	4.5	M4×0.7 Depth 8	9

Part Number	L <sub>2</sub>	P	H <sub>3</sub>	H <sub>4</sub>	Operating Air Pressure (MPa)	Support Capacity(N)	Piston Spring Force(N)	Weight (g)
<b>AMNS06-S</b>	6	10	10	3	0.4~0.7	20~40	0.2~0.3	22
<b>AMNS08-S</b>	7.5	13	13	5		40~70	0.3~0.4	49

## Feature

- The piston can be locked/unlocked by air operation.
- This compact work support can be used as a support in surface mounter.

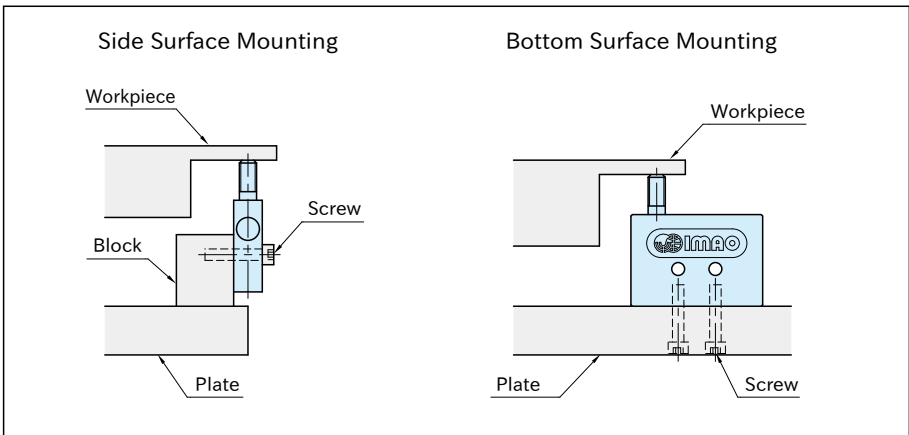
## How To Use

### ■ Operating Instructions

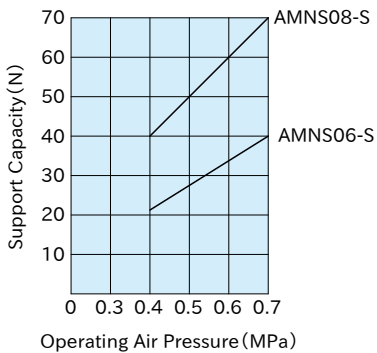
1. Load a workpiece on the support.
2. The piston strokes to fit the workpiece by the inner spring.
3. Clamp the workpiece.
4. Apply air to the pneumatic port.
5. The piston is locked.
6. The piston is unlocked when the air is released.

### ■ Installation Instructions

Side or bottom surface mounting is possible.

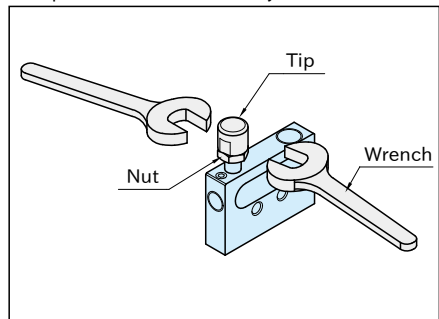


## Performance Curve



## Note

- Use a nut to attach a tip on the piston as directed below.  
The piston rotates 360° freely.



- In machining applications, use clean coolant without sludge to prevent trouble.