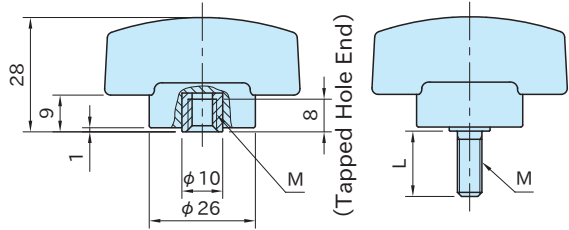
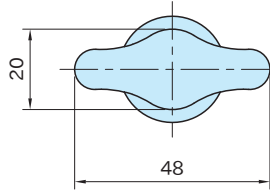




(Tapped)



(Stud)



(Tapped)

(Stud)

★Key Point — Tightening end is detectable by sound and touch of a click.

Knob	Insert
Polyamide (glass-fiber reinforced) Black matte Orange matte	S45C steel Electroless nickel plated

Type	M	Torque (N·m) *	Tightening Force (kN) **
CTK48-5-2	M5×0.8	2	2
CTK48-5-3		3	3
CTK48-6-2	M6×1	2	1.7
CTK48-6-3		3	2.5

*) Torque can vary ±15% (Max).

**) Use these values only as a guide. <Tightening force (kN) = Torque(N·m)/(0.2×d(mm)) d:Nominal diameter of the stud>

■ Tapped

Part Number		Weight (g)
Black	Orange	
CTK48-5-2BK	CTK48-5-2OG	35
CTK48-5-3BK	CTK48-5-3OG	36
CTK48-6-2BK	CTK48-6-2OG	34
CTK48-6-3BK	CTK48-6-3OG	35

■ Stud

Part Number		L	Weight (g)
Black	Orange		
CTK48-5×10-2BK	CTK48-5×10-2OG	10	37
CTK48-5×10-3BK	CTK48-5×10-3OG		38
CTK48-5×16-2BK	CTK48-5×16-2OG	16	38
CTK48-5×16-3BK	CTK48-5×16-3OG		39
CTK48-6×16-2BK	CTK48-6×16-2OG	16	39
CTK48-6×16-3BK	CTK48-6×16-3OG		40
CTK48-6×25-2BK	CTK48-6×25-2OG	25	41
CTK48-6×25-3BK	CTK48-6×25-3OG		42

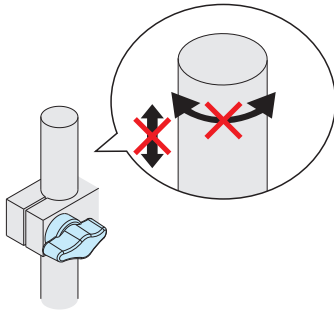
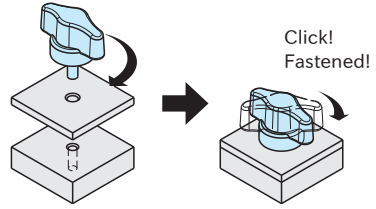
Feature

- Can be tightened with the specified torque.
- The spring and the balls inside provide a touch of click when the knob reaches to the specified torque.
- The knob can keep rotated to the desired position after reaching to the specified torque.

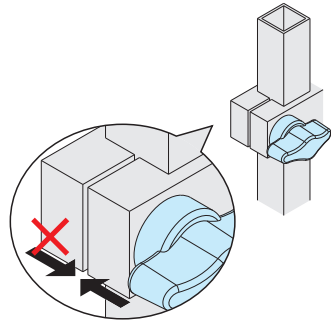
Technical Information

Working temperature : Between 0°C and 80 °C

How To Use



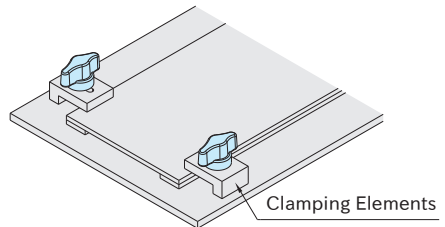
Prevent rotation or slippage.



Prevent deformation or scratch.



Prevent deformation of workpiece.



Can be used with clamping elements.

Related Product

[ATCL](#) Adjustable-Torque Handles