

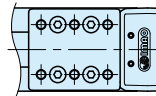
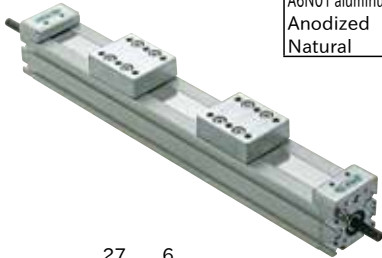
MAU5040DW

MECHANICAL LINEAR ACTUATORS (Dual Carriage, Synchro-Use)

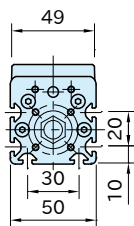
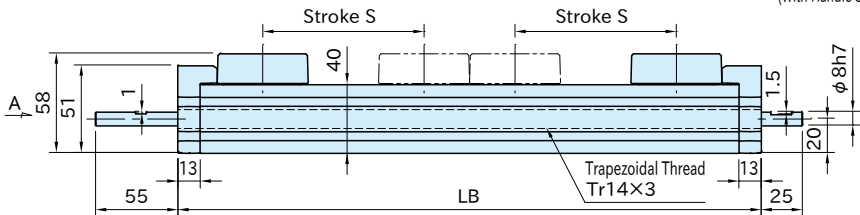
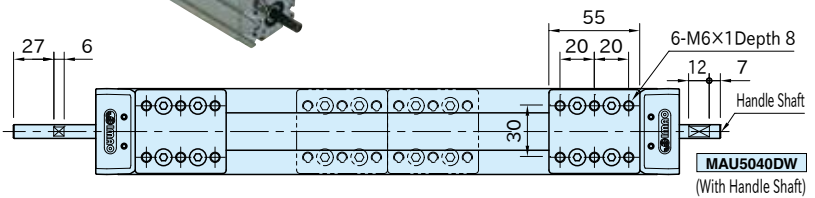
On Request



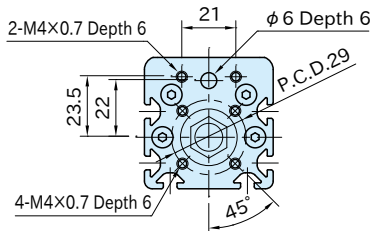
Body	Carriage End Plates	Shaft	Trapezoidal Nut	Screw	Dustproof Sheet
A6N01 aluminum Anodized Natural	ZDC2 die-cast zinc Chrome plated	S45C steel Black oxide finish	CAC902 copper alloy	SCM435 steel Trivalent chromate	SUS304H stainless steel



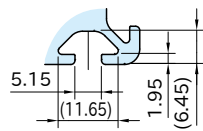
MAU5040DW-Y
(Without Handle Shaft)



VIEW:A



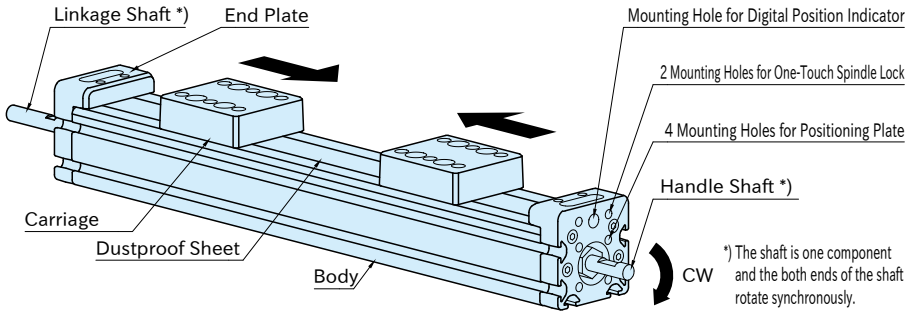
Dimensions of End Plate (Both ends)



Dimensions of 6 Slots

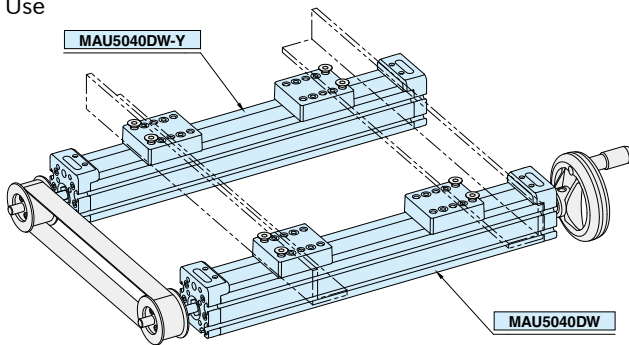
Part Number		S	LB	Weight (kg)	Delivery Time
With Handle Shaft	Without Handle Shaft				
MAU5040DW-100	MAU5040DW-100Y	100	356	2.4	20 Working Days
MAU5040DW-150	MAU5040DW-150Y	150	456	2.8	

How To Use



- Two carriages move toward the arrow directions by turning the Handle Shaft clockwise.
- Two carriages move against the arrow directions by turning the Handle Shaft counterclockwise.
- Pitch between two carriages increases or decreases 6mm per rotation of the Handle Shaft.

Parallel Use



Reference

Technical Information of Mechanical Linear Actuators

Related Product

Choose the optional elements for your needs.

- One-Touch Spindle Locks
- Positioning Plate
- Digital Position Indicators
- Adapter Shafts
- Handwheels
- Pair of Stops
- T-Nuts
- Groove Cover