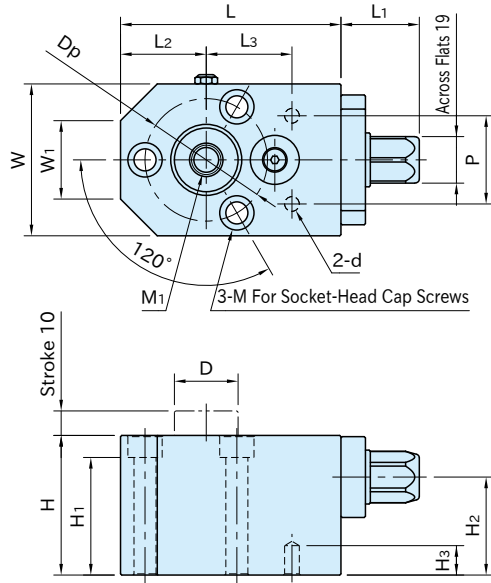


# PTNS1

# NUTRUNNER WORK SUPPORTS



## ★Key Point

Prevent workpiece vibration and deflection.

Body	Hex. Head / Locking Shaft	Piston
S50C steel Black oxide finished	SCM435 steel Quenched and tempered Black oxide finished	SK95 steel Quenched and tempered Black oxide finished

Part Number	H	M <sub>1</sub>	D	L	W	W <sub>1</sub>	L <sub>1</sub>	M	D <sub>P</sub>	L <sub>2</sub>	H <sub>1</sub>	H <sub>2</sub>	d
<b>PTNS1-12</b>	57	M12×1.75 Depth24	26	90	62	32	32	M 8	50	35	48	40	6
<b>PTNS1-16</b>	72	M16×2 Depth32	33	115	75	35	42	M10	60	42	61	50	8

Part Number	P	L <sub>3</sub>	H <sub>3</sub>	Allowable Tightening Torque (N·m *)	Support Capacity (kN *)	Piston Spring Force (N)	Weight (kg)
<b>PTNS1-12</b>	36	35	12	40	5	15~30	2.4
<b>PTNS1-16</b>	48	45	16	80	10	15~35	4.8

\*) To operate with an impact wrench, use less than 50% of the clamping force and allowable tightening torque. If this product is operated with a nut runner and the nut is turned to the stop on the unclamping side, the tightening torque should be 50% or less of the allowable tightening torque.

## Supplied With

- PTNS1-12: 2 of parallel pin, φ 6 (h7) × 20L  
1 of THP12 Protection Plugs For Tapped Holes
- PTNS1-16: 2 of parallel pin, φ 8 (h7) × 25L  
1 of THP16 Protection Plugs For Tapped Holes

## Reference

- THP12 THP16 PROTECTION PLUGS FOR TAPPED HOLES
- PTRC1 EXTENSION UNITS

## Feature

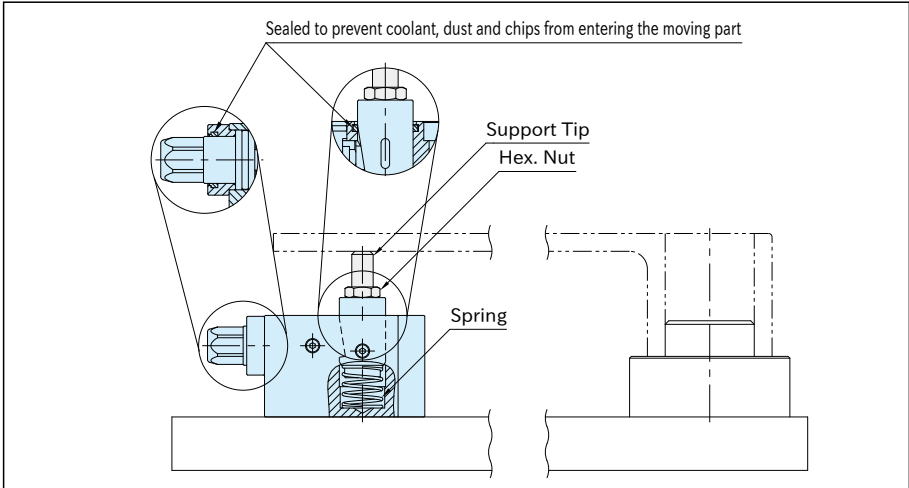
High support capacity allows heavy duty machining.

## Note

- This work support can be operated with an impact wrench. Be sure to use an impact wrench that can set the torque.
- When attaching a support tip to the tapped hole of the piston, keep the piston tightened to prevent damage.

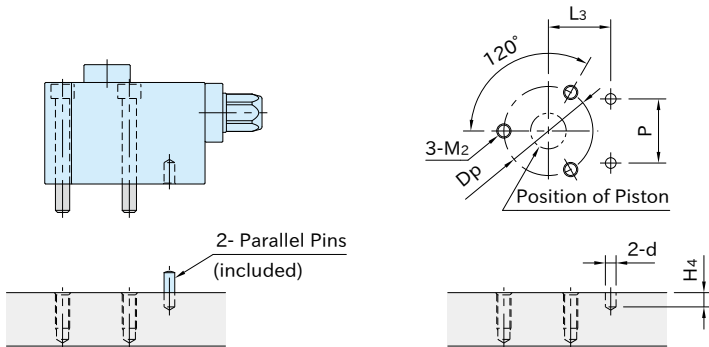
## How To Use

- Ideal for use with a nut runner for automated production line.
- This work support can be also tightened manually.



- Load a workpiece, and the piston lowers. Turn the hex. head to lock the piston.
- Prevent workpiece vibration and deflection.

## Mounting Hole Dimension



Part Number	M <sub>2</sub>	D <sub>P</sub>	d ( <sup>+0.1</sup> )	P (±0.05)	L <sub>3</sub> ( <sup>+0.1</sup> )	H <sub>4</sub>
<b>PTNS1-12</b>	M 8×1.25	50	6	36	35	9
<b>PTNS1-16</b>	M10×1.5	60	8	48	45	10