

QCPS

ONE TOUCH PUSH LOCK CLAMPS



QCPS1036-6-OG

(Plastic Handle, Orange)



QCPS0828-6-BK

(Plastic Handle, Black)



QCPS1036-6-S

(Metal Handle)



QCPS-F

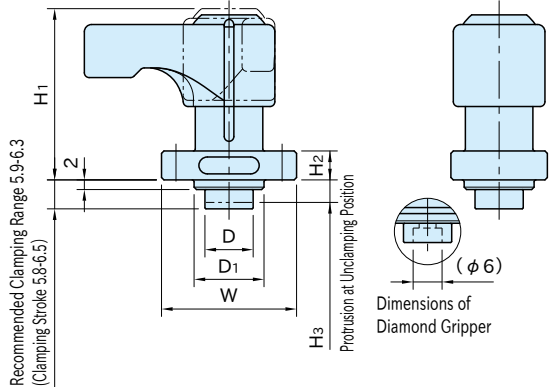
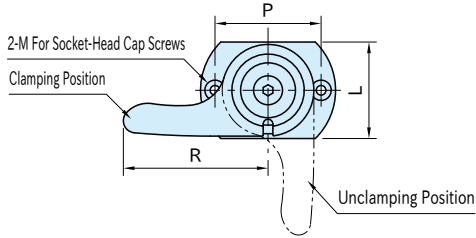
Flat Tip



QCPS-D

Diamond Tip

★ **Key Point**
Quick & easy lock with constant clamping force



Type	Body/Piston	Spring	Handle	Gripper
QCPS-OG-F	SUS303 stainless steel	Equivalent to SWOSC-V	Polyamide (glass-fiber reinforced)	-
QCPS-BK-F			SCS13 stainless steel (Equivalent to SUS304)	
QCPS-S-F			Polyamide (glass-fiber reinforced)	SUS303 stainless steel Diamond electroplated
QCPS-OG-D			SCS13 stainless steel (Equivalent to SUS304)	
QCPS-BK-D				
QCPS-S-D				

Type	Tip Type	D	D ₁	W	L	H ₁	H ₂	H ₃	R	P	M	Clamping Force (N)	Proper Shaft Collars
QCPS0828-6-F	Flat	8.5	14.5	28	20	35.5	6	5.5	30	22	M2	200	QCPC0828-20
QCPS0828-6-D	Diamond	10											QCPC0828-25
QCPS1036-6-F	Flat	10.5	17.5	36	24	39	8	5.3	45	28	M3	400	QCPC1036-20
QCPS1036-6-D	Diamond	14											QCPC1036-25

■ Plastic Handle

Part Number		Weight (g)
Orange	Black	
QCPS0828-6-OG-F	QCPS0828-6-BK-F	54
QCPS0828-6-OG-D	QCPS0828-6-BK-D	
QCPS1036-6-OG-F	QCPS1036-6-BK-F	100
QCPS1036-6-OG-D	QCPS1036-6-BK-D	

■ Metal Handle

Part Number	Weight (g)
QCPS0828-6-S-F	79
QCPS0828-6-S-D	
QCPS1036-6-S-F	150
QCPS1036-6-S-D	

Supplied With

- **QCPS0828-6** :
2 of socket-head cap screw (stainless steel),
M2×0.4-6L
- **QCPS1036-6** :
2 of socket-head cap screw (stainless steel),
M3×0.5-8L

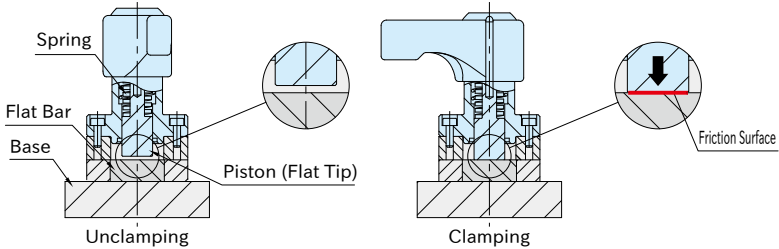
QCPS

SHAFT COLLARS

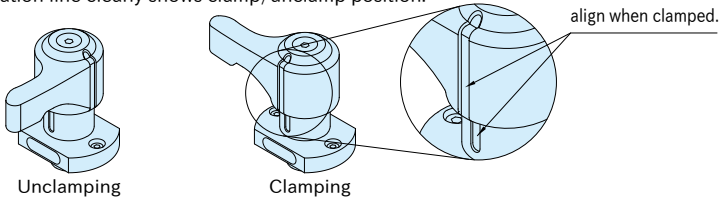


Feature

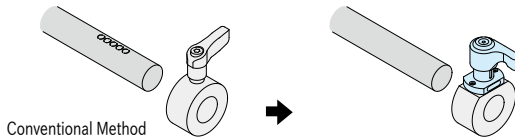
- The piston pushes out to clamp the object such as flat bar or shaft by turning the handle.
- The spring-loaded clamp provides a constant clamping force.
- Frictional force generated at the contact surface prevents the object from moving.
- The flat tip which hardly damages an object, and the diamond tip which provides high holding force, are available. Choose a suitable type for your application.



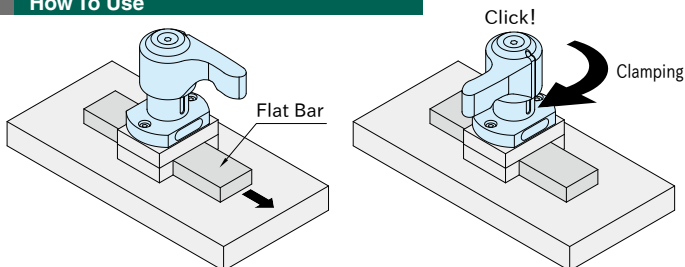
- The indication line clearly shows clamp/unclamp position.



- Shafts are less likely to be damaged compared to fixing by screws.




How To Use



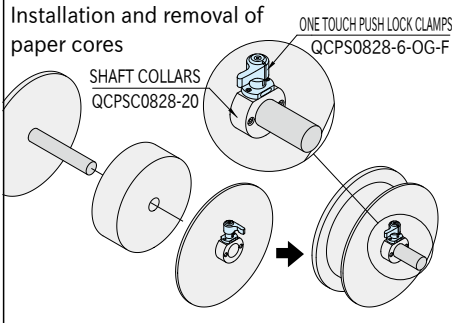
Slides the flat bar at the unclamping position.

Turn the handle 90° to clamp.

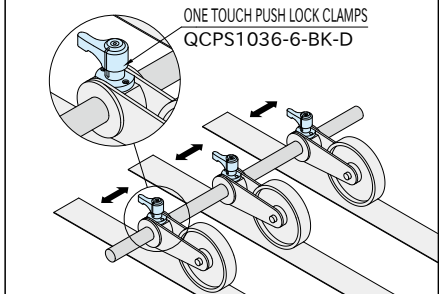
 Continuing on Next Page

Application Example

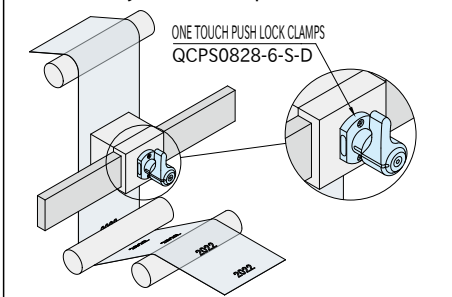
Installation and removal of paper cores



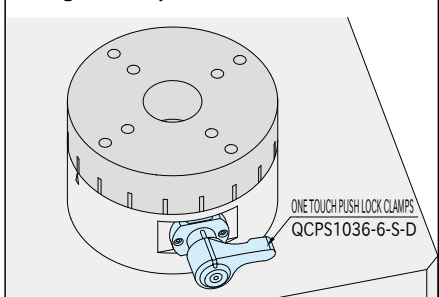
Position adjustment of guide rollers



Position adjustment of print heads

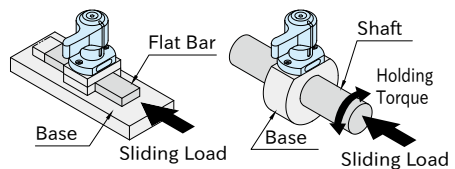


Fixing of rotary table

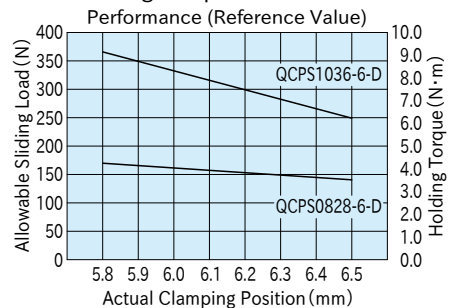
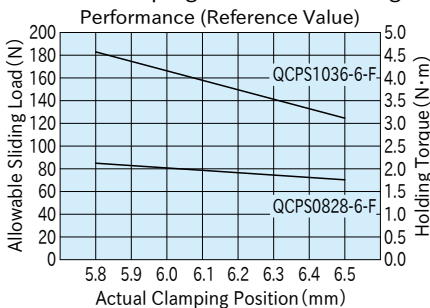


Technical Information

Type	Sliding Load (N)	Holding Torque (N·m)
QCPS0828-6-F	80	2
QCPS0828-6-D	160	4
QCPS1036-6-F	160	4
QCPS1036-6-D	320	8



Actual Clamping Position vs. Sliding Load and Holding Torque

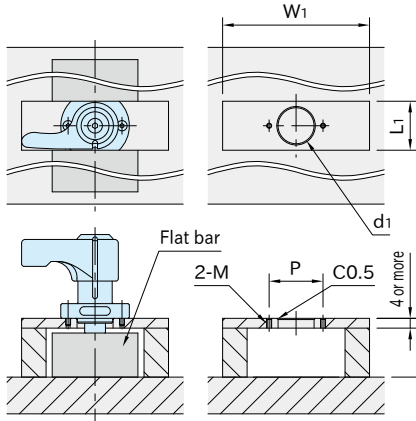


These numerical values are for reference only, under the following conditions.

- The material of the object (flat bar, shaft) and the base is SUS303 stainless steel.
- The tip of the piston, object (flat bar, shaft), and base are fully degreased.
- The object is clamped within the recommended clamping range.
- The values of Holding Torque are for $\phi 25$ shafts.

How To Install

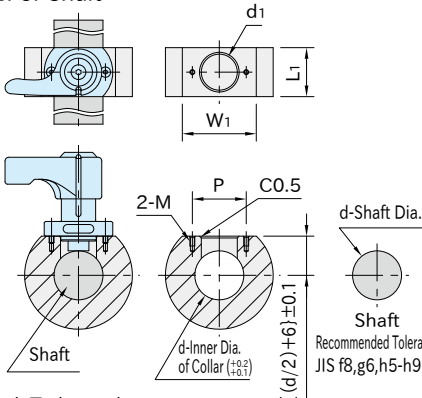
■ For Flat Bar



Size	d ₁ (+0.3 +0.3)	P	M	W ₁ (*)	L ₁ (*)
QCPS0828-6	14.5	22	M2×0.4 Depth 4 or more C0.5	28 or more	20 or more
QCPS1036-6	17.5	28	M3×0.5 Depth 5 or more C0.5	36 or more	24 or more

*) Minimum dimension for installation of the One Touch Push Lock Clamps

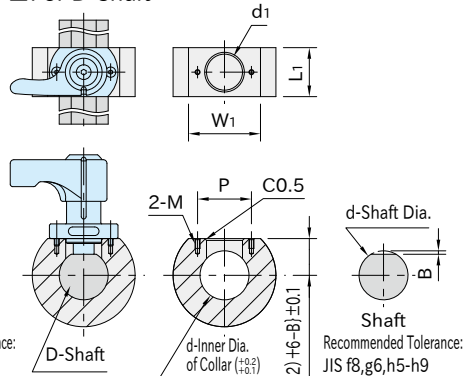
■ For Shaft



- d: To be set by customer
- The approximate outer diameter of the collar can be calculated according to the following formula.

$$\text{Outer diameter of collar} \geq 2 \times \sqrt{\left(\frac{W_1}{2}\right)^2 + \left(\frac{d}{2} + 6\right)^2}$$

■ For D-Shaft



- d/B: To be set by customer
- The approximate outer diameter of the collar can be calculated according to the following formula.

$$\text{Outer diameter of collar} \geq 2 \times \sqrt{\left(\frac{W_1}{2}\right)^2 + \left(\frac{d}{2} + 6 - B\right)^2}$$

🔧 Note

- Degrease all contact surfaces thoroughly.
- Do not try to move the clamped object.
- Excess shock or vibration may cause a misalignment of the clamped object.
- When using the clamps by methods other than "How to Install" above, please install them so that the object is clamped within the recommended clamping range.