

QCSJS

HEAVY DUTY SHAFT COUPLING CLAMP

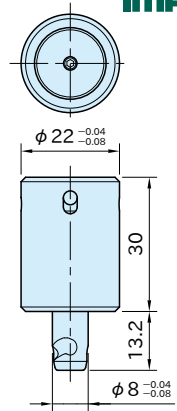
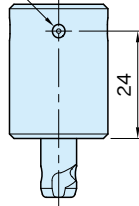


Heat resistance: 180°C



★Key Point
Strong clamping
by the spring

2-Countersink
For M4 Cone Point Setscrew



Body	Shank	Pin	Spring
S45C steel Electroless nickel plated	SKS3 steel Electroless nickel plated Quenched and tempered	SUS303 stainless steel	Equivalent to SWOSC-V steel

Part Number	Clamping Force (N)	Holding Force(N*)	Weight (g)	Locking Receptacle	Locking Receptacle
QCSJS0822A	400	400	76	QCSJS0822-S	QCTHS0834-B

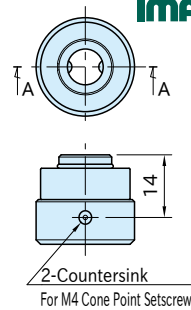
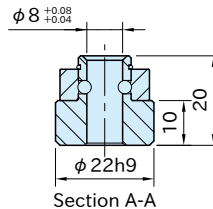
*) Exceeding the holding force creates a gap of greater than 0.1mm between plates.

Supplied With

2 of cone point setscrews(stainless steel), M4×0.7-5L

QCSJS-S

LOCKING RECEPTACLE



Part Number	Weight (g)	Body	Ball	Collar	Retaining Ring
QCSJS0822-S	42	S45C steel Electroless nickel plated	SUS440C stainless steel Quenched and tempered	SKS3 steel Electroless nickel plated Quenched and tempered	SUS304WPB stainless steel

Supplied With

2 of cone point setscrews(stainless steel), M4×0.7-5L

QCTHS-B

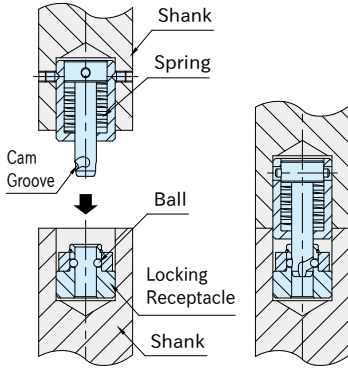
Locking Receptacle



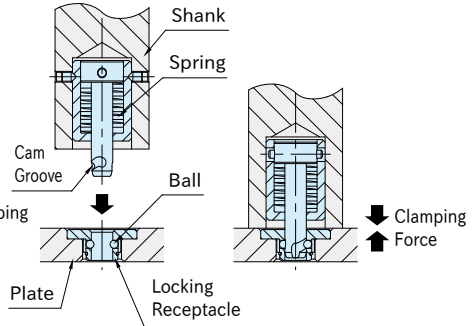
Feature

When the cam groove moves along the balls inside the receptacle, the spring gets compressed to clamp the shafts.

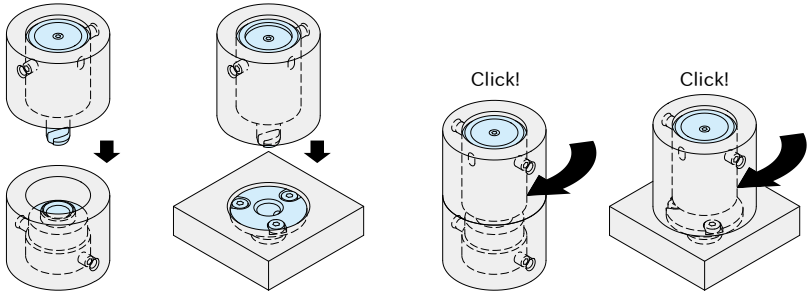
Installation on Shaft



Installation on Plate



How To Use

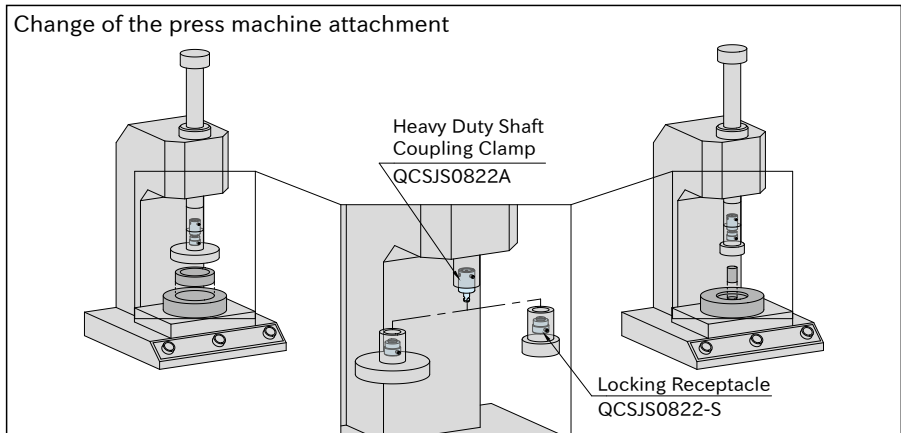


1. Align the cam groove with the ball in Locking Receptacle and insert.

2. Turn the shaft for 90° to clamp.
The element clicks when clamped.
For unclamping, follow back these steps.

Application Example

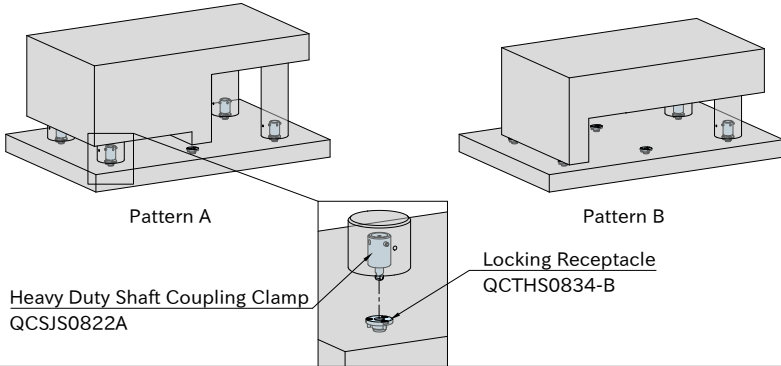
Change of the press machine attachment



Continuing on Next Page

Application Example

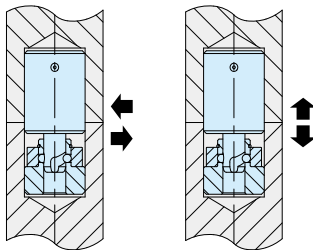
Change of riser



Mechanical Strength

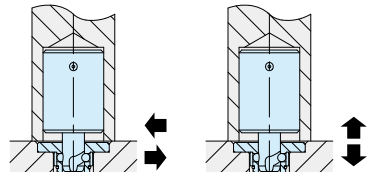
Heatresistant Temperature 180°C

Installation on Shaft



Shear Strength 4800N Tensile Strength 1600N

Installation on Plate

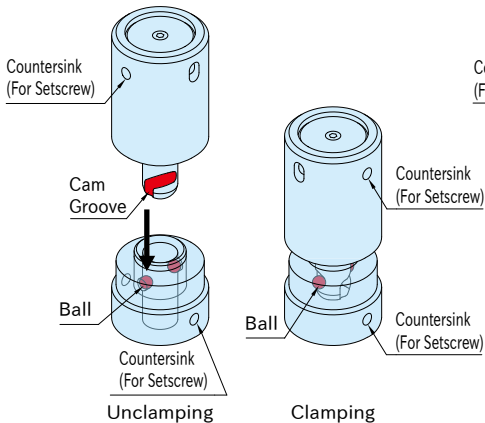


Shear Strength 4800N Tensile Strength 1600N

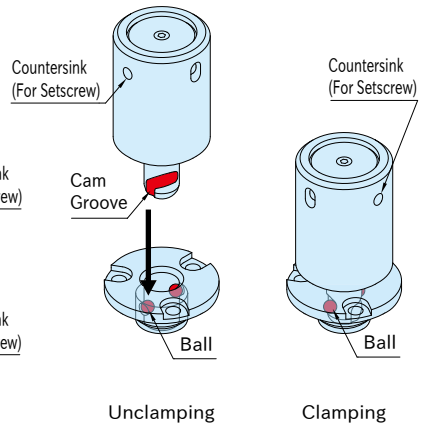
Shear and tensile strength is allowable load and the fastener could break when it receives bigger load.

Mounting Direction

Installation on Shaft



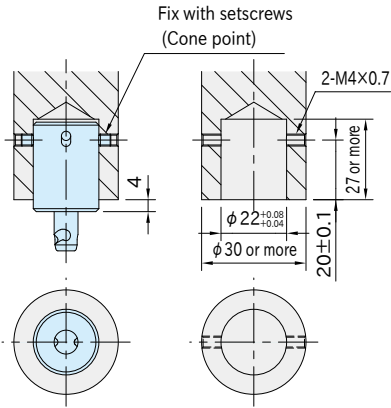
Installation on Plate



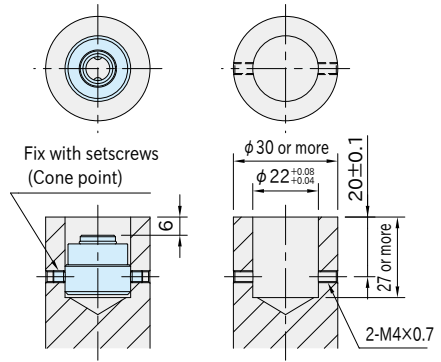
How To Install

Installation on Shaft

Heavy Duty Shaft Coupling Clamp

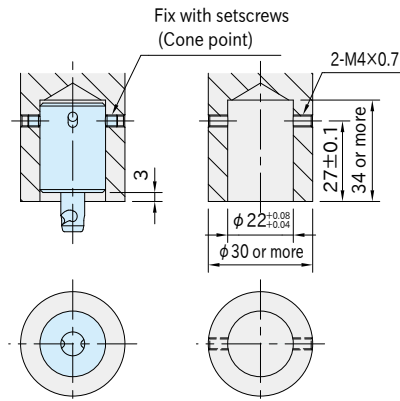


Locking Receptacle (QCSJS0822-S)



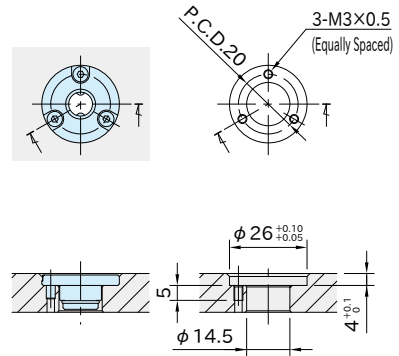
Installation on Plate

Heavy Duty Shaft Coupling Clamp

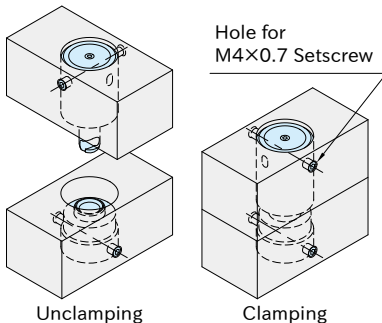


Locking Receptacle (QCTHS0834-B)

Plate thickness should be 9mm or more.



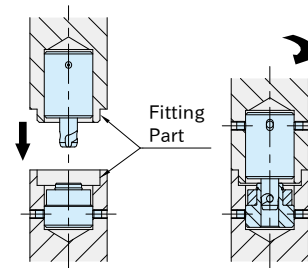
Note



Decide the mounting hole position depending on the clamped part direction.

Repeatability

Repeatability ±0.08



Prepare male and female fittings for higher accurate locating.